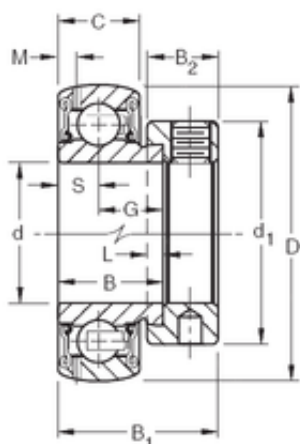




# NTN BEARING MFG.CORP



## 36,5125 mm x 72 mm x 25,4 mm Timken GRA107RRB Ball Insert Bearings

Bearing No. GRA107RRB

Size	36.5125x72x25.4 mm
Bore Diameter	36,5125 mm
Outer Diameter	72 mm
Width	25,4 mm
d	36,5125 mm
D	72 mm
B	25,4 mm
C	19 mm
d1	54 mm
B1	38,9 mm
B2	17,1 mm
G	15,9 mm
L	4 mm
M	3,68 mm
S	9,5 mm
Weight	0,476 Kg
Basic dynamic load rating (C)	28,5 kN

GRA107RRB Bearing 2D drawings and 3D CAD models