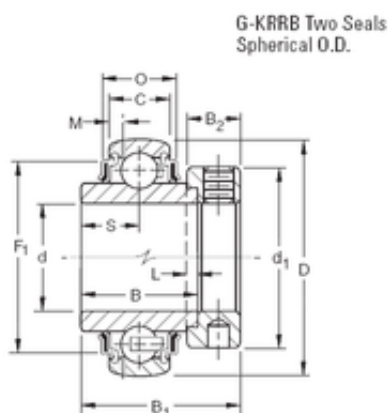




NTN BEARING MFG.CORP



42,8625 mm x 85 mm x 42,86 mm Timken G1111KRRB Ball Insert Bearings

Bearing No. G1111KRRB

Size	42.8625x85x42.86 mm
Bore Diameter	42,8625 mm
Outer Diameter	85 mm
Width	42,86 mm
d	42,8625 mm
D	85 mm
B	42,86 mm
C	22 mm
P	27,18 mm
O	73,86 mm
d1	63,5 mm
B1	4,55 mm
B2	18,3 mm
L	4,8 mm
S	21,4 mm
F1	56,4 mm
Weight	0,88 Kg
Basic dynamic load rating (C)	36 kN

G1111KRRB Bearing 2D drawings and 3D CAD models