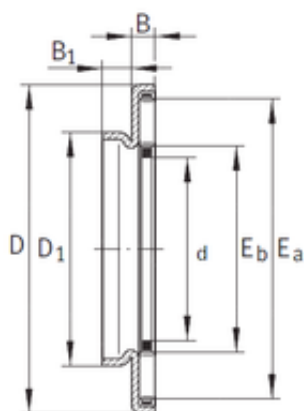




NTN BEARING MFG.CORP

15 mm x 31 mm x 3,2 mm INA AXW15 Needle Roller Thrust Bearings



Bearing No. AXW15

Size	15x31x3.2 mm
Bore Diameter	15 mm
Outer Diameter	31 mm
Width	3,2 mm
d	15 mm
D	31 mm
B	3,2 mm
B1	3,5 mm
D1	21 mm
Ea	17 mm
Eb	27 mm
Weight	10 Kg
Basic dynamic load rating (C)	11,3 kN
Basic static load rating (C0)	36 kN
Fatigue load limit (Pu)	3,6
Reference speed	5 800 r/min
Category	Thrust Roller Bearing
Inventory	0.0
Manufacturer Name	SCHAEFFLER GROUP
Minimum Buy Quantity	N/A
Weight / Kilogram	0.01
Product Group	B04144
Rolling Element	Needle Roller Bearing
Self Aligning	No
Component Description	Roller Assembly with

AXW15 Bearing 2D drawings and 3D CAD models



NTN BEARING MFG.CORP

	Center Washer
Thrust Bearing	Yes
Single or Double Direction	Single Direction
Banded	No
Cage Material	Steel
Precision Class	ABEC 1 ISO P0
Other Features	Single Row Piloted With Centering Spigot Axial Needle Roller
Long Description	15MM Bore 1; 15MM Bore 2; 31MM Outside Diameter; 2MM Height; 6.7MM Overall Height with Aligning Washer; Needle Roller Bearing; Single Direction; Not Self Aligning; Not Banded; Steel Cage; ABEC 1 ISO
Inch - Metric	Metric
Category	Thrust Roller Bearings
UNSPSC	31171507
Harmonized Tariff Code	8482.40.00.00
Noun	Bearing
Keyword 3	Needle
Keyword String	Thrust Roller Needle
Manufacturer URL	http://www.ina.com
Manufacturer Item Number	AXW15
Weight / LBS	0.022
Bore 2	0.591 Inch 15 Millimeter
Overall Height with Aligning Washer	0.264 Inch 6.7 Millimeter
Outside Diameter	1.22 Inch 31 Millimeter
Height	0.079 Inch 2 Millimeter
Bore 1	0.591 Inch 15 Millimeter