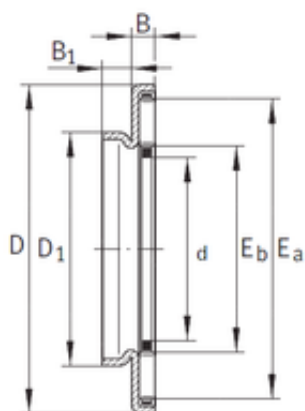




# NTN BEARING MFG.CORP



## 45 mm x 68 mm x 4,2 mm INA AXW45 Needle Roller Thrust Bearings

Bearing No. AXW45

Size	45x68x4.2 mm
Bore Diameter	45 mm
Outer Diameter	68 mm
Width	4,2 mm
d	45 mm
D	68 mm
B	4,2 mm
B1	4 mm
D1	52 mm
Ea	50 mm
Eb	63 mm
Weight	43 Kg
Basic dynamic load rating (C)	30 kN
Basic static load rating (C0)	128 kN
Fatigue load limit (Pu)	13,3
Reference speed	2 400 r/min
Category	Thrust Roller Bearing
Inventory	0.0
Manufacturer Name	SCHAEFFLER GROUP
Minimum Buy Quantity	N/A
Weight / Kilogram	0.04
Product Group	B04144
Rolling Element	Needle Roller Bearing
Self Aligning	No
Component Description	Roller Assembly with

AXW45 Bearing 2D drawings and 3D CAD models



## NTN BEARING MFG.CORP

	Center Washer
Thrust Bearing	Yes
Single or Double Direction	Single Direction
Banded	No
Cage Material	Steel
Precision Class	ABEC 1   ISO P0
Other Features	Single Row   Piloted   With Centering Spigot   Axial Needle Roller
Long Description	45MM Bore 1; 45MM Bore 2; 68MM Outside Diameter; 3MM Height; 8.2MM Overall Height with Aligning Washer; Needle Roller Bearing; Single Direction; Not Self Aligning; Not Banded; Steel Cage; ABEC 1   ISO
Inch - Metric	Metric
Category	Thrust Roller Bearings
UNSPSC	31171507
Harmonized Tariff Code	8482.40.00.00
Noun	Bearing
Keyword 3	Needle
Keyword String	Thrust Roller Needle
Manufacturer URL	<a href="http://www.ina.com">http://www.ina.com</a>
Manufacturer Item Number	AXW45
Weight / LBS	0.095
Height	0.118 Inch   3 Millimeter
Overall Height with Aligning Washer	0.323 Inch   8.2 Millimeter
Bore 2	1.772 Inch   45 Millimeter
Bore 1	1.772 Inch   45 Millimeter
Outside Diameter	2.677 Inch   68 Millimeter